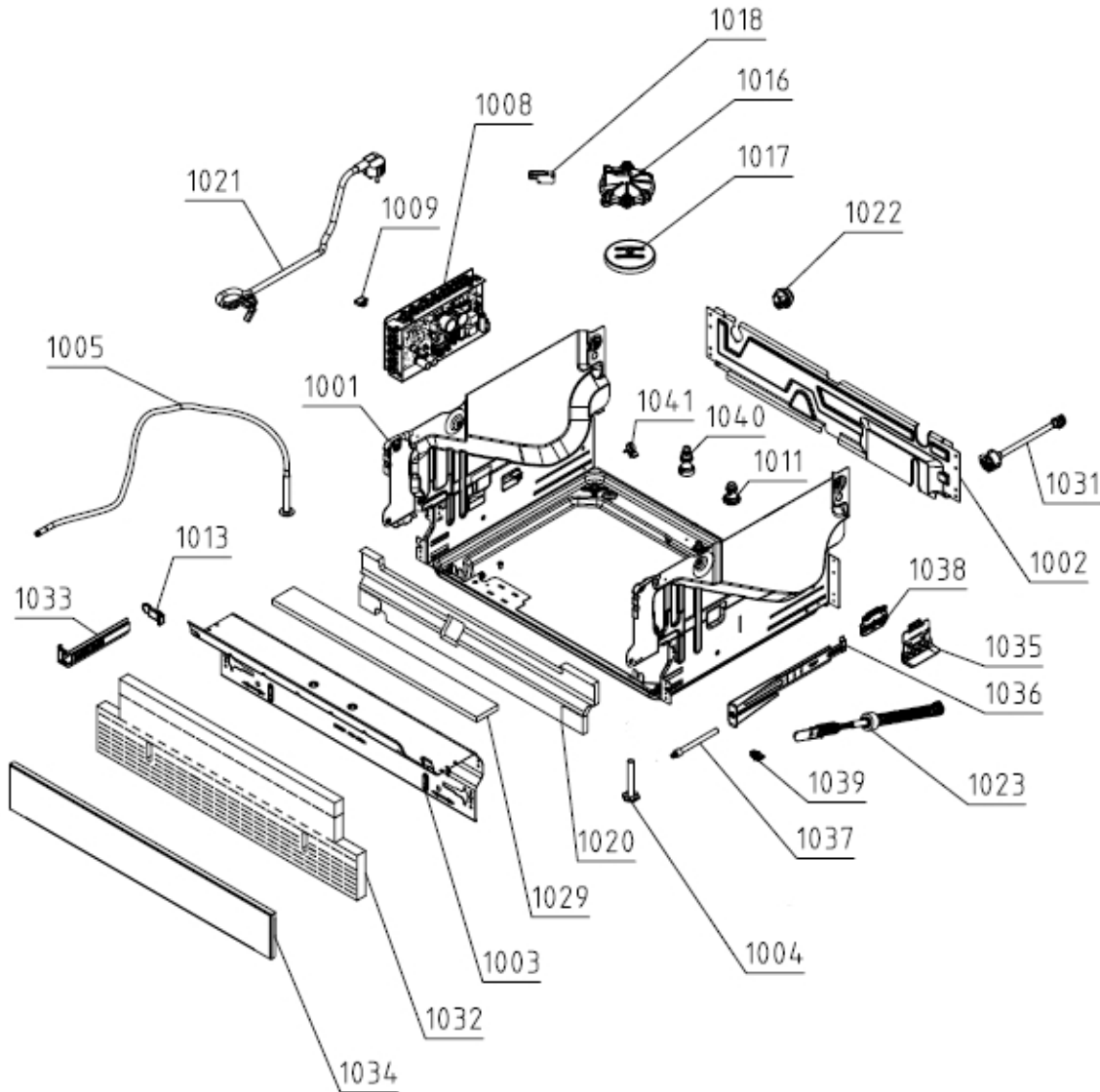


SPARE PARTS LIST

Type DW40.2
Model DFI664.U
Art. No. 734098

Brand name ASKO
Version 26.03.2019
Service index 01

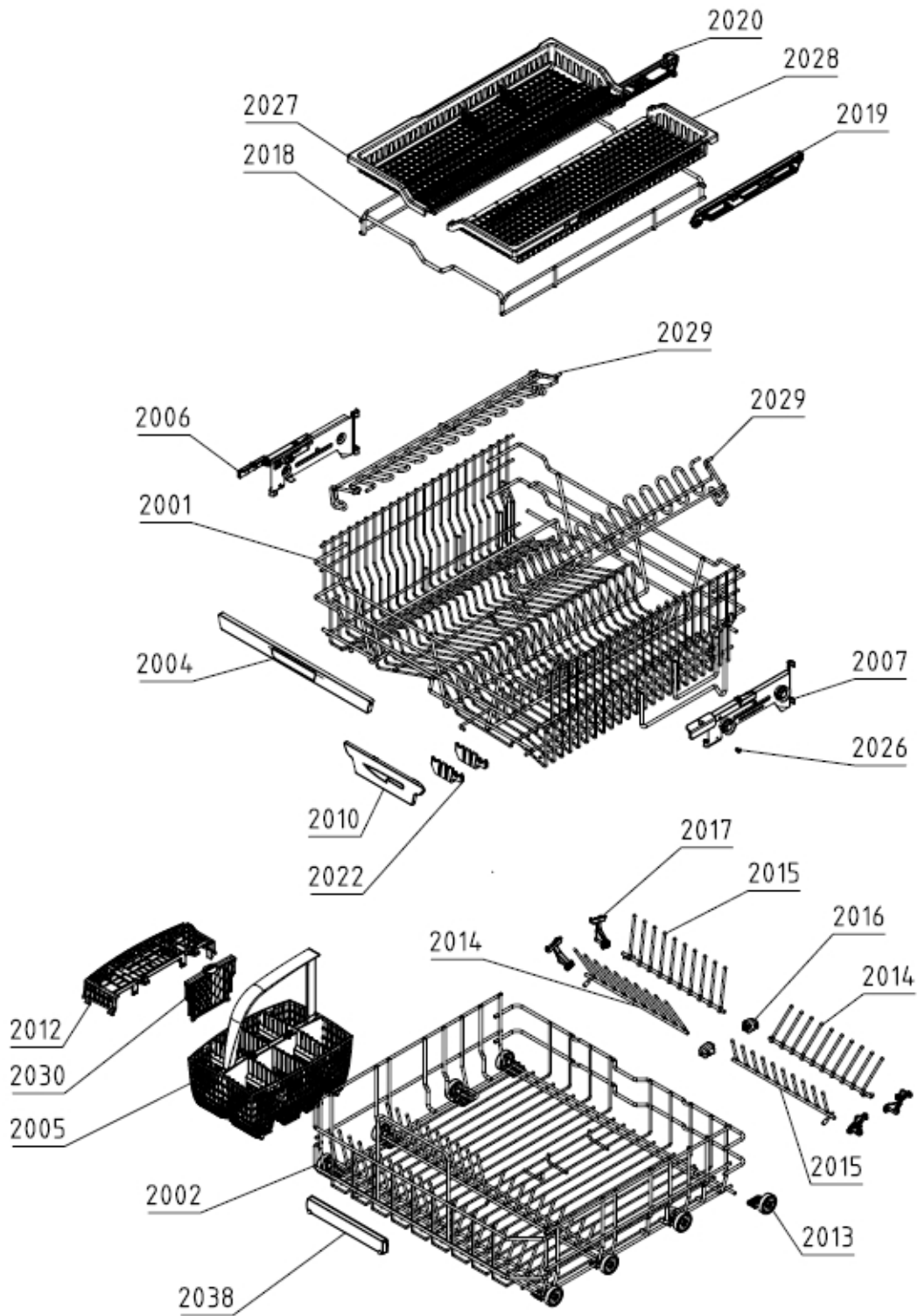
160651



Position	Ident	Spare part description	Quantity	Validity	Extra ID
1001	813325	BASE WITH FEET	1		
1001A	700436	SCREW A4 MRT M4X8 VAXED TORX20 BUFAB	2		

Position	Ident	Spare part description	Quantity	Validity	Extra ID
1001B	700474	SCREW	4		
1002	587257	BACK PANEL	1		
1003	700350	COVER	1		
1003A	700451	SCREW RTS ST4,2X13 FZB TORX20	19		
1004	700290	FOOT	2		
1005	700289	ADJUSTABLE FOOT DW ASSY	1		
1008	795565	CONTROL UNIT	1		
1011	576727	CIRCULATION PUMP DAMPER	1		
1013	700332	SPRING	2		
1016	512052	FLOAT BRACKET	1		
1017	655019	FLOAT	1		
1018	700335	MICROSWITCH	1		
1021	664836	SUPPLY CORD SJT 3X14AWG 1550	1		
1022	413719	CABLE GROMMET Z13	1		
1023	700403	SPRING	2		
1031	700266	INLET HOSE	1		
1031B	700483	GASKET	1		
1032	700292	ISOLATION	1		
1033	700331	SUPPORT	2		
1034	700457	BASEBOARD	1		
1035	700351	SPRING SUPPORT LEFT	2		
1036	700345	ADJUST NUT	2		
1037	700346	SCREW	2		
1038	700400	SPRING HOLDER INTERMEDIATE	2		
1039	700401	GUIDE	2		
1040	700408	WASHING MOTOR CUSHION	1		
1041	700411	SUPPORT	1		

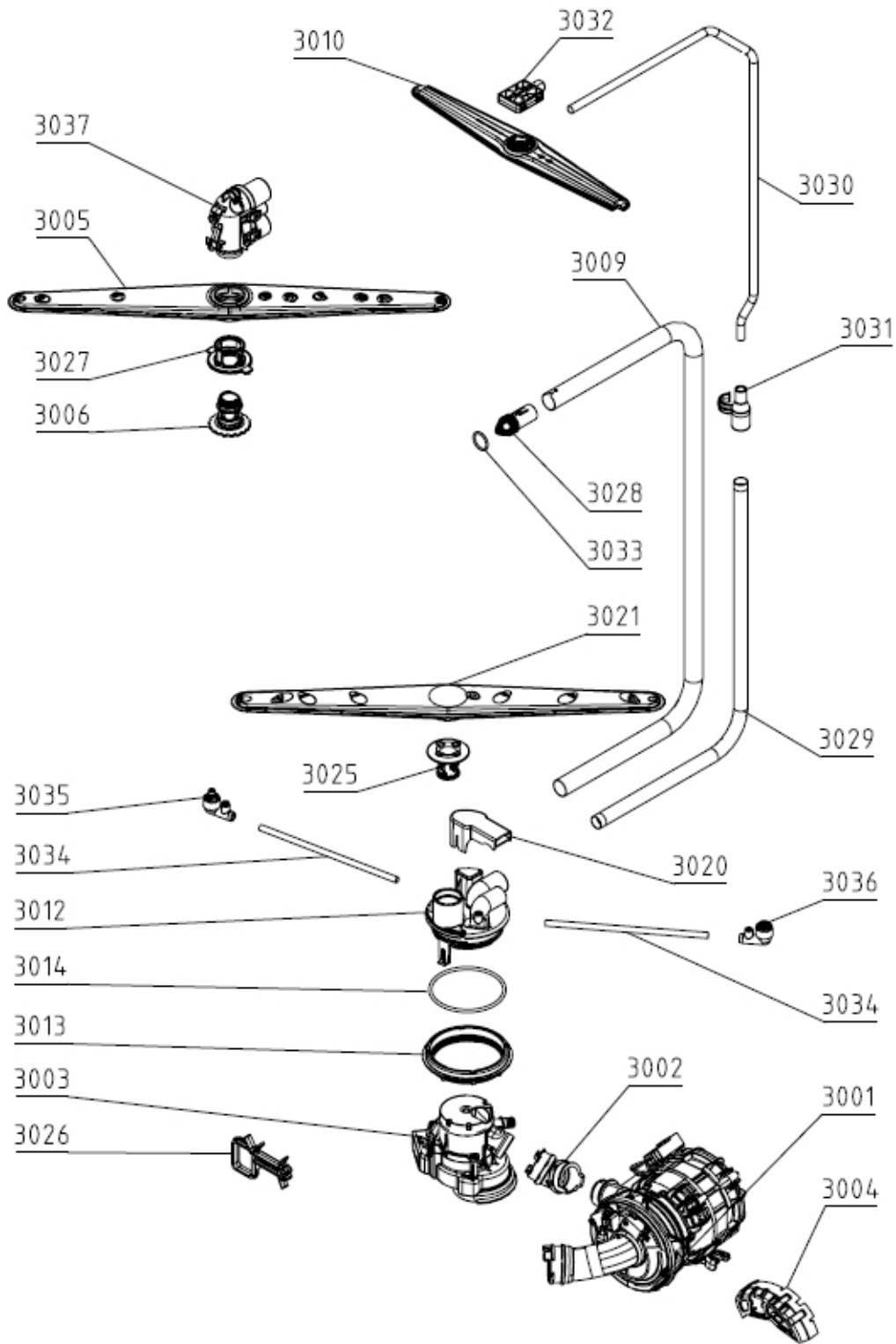
161656



Position	Ident	Spare part description	Quantity	Validity	Extra ID
2001	492995	UPPER BASKET ASS.PREM. ASSY H/L 7502-B	1		
2002	489454	LOWER BASKET EXCLUSIVE 7502-B ASSY	1		
2004	435209	HANDLE U-BASKET ASSY ASKO	1		

Position	Ident	Spare part description	Quantity	Validity	Extra ID
2005	428811	CUTLERY BASKET	1		
2006	700388	GUIDE CASING	1		
2007	700387	GUIDE CASING	1		
2010	476838	KNIVES GUARD 5502-B	1		
2013	700391	LOWER BASKET WHEEL	8		
2014	489477	PLATE-RACK SHORT R 7502-B	2		
2015	489476	PLATE-RACK SHORT L 7502-B	2		
2016	484431	PLATE-RACK HOLDER SHORT 5502-B	2		
2017	555551	PLATE-RACK HOLDER ADJUSTMENT 5502-B	4		
2018	476786	KNIVES BASKET FRAME 7502-B	1		
2019	488393	UPPER BASKET ADJUSTMENT UNIT R ASSY	1		
2020	488392	UPPER BASKET ADJUSTMENT UNIT L ASSY	1		
2022	700321	KNIFE RACK	2		
2026	700421	PLUG	2		
2027	488568	CUTLERY BASKET INSERT L ASSY	1		
2028	488569	CUTLERY BASKET INSERT R ASSY	1		
2029	476840	WINE GLASSES SHELF ADJUSTABLE NCS 7502-B	2		
2030	700390	CUTLERY BASKET COVER	1		
2038	427447	HANDLE	1		

162652



Position	Ident	Spare part description	Quantity	Validity	Extra ID
3001	512070	CIRC.PUMP BLDC190V W. HEATER 120V 1200W	1		
3001A	537874	CLAMP - WIRE D 38	1		
3001B	680172	HEATER,O-RING FOR CIRC.PUMP DW US 1600	1		
3002	545949	HOSE SET/CLAMP FOR CIRC.PUMP	1		
3003	813321	DIVERTER VALVE SET 120V	1		
3004	515493	COVER CIRC.PUMP	1		

Position	Ident	Spare part description	Quantity	Validity	Extra ID
3005	700383	SPRAYARM UPPER BASKET ASSY UL4	1		
3006	700382	BEARING	1		
3009	476644	SPRAYER TUBE ADJ.UPPER BASKET D18	1		
3010	476717	SPRAY ARM UPPER ASSY	1		
3012	794788	SPRAY TOWER	1		
3013	700323	RING	1		
3014	700437	GASKET	1		
3020	520549	DISCHARGE COVER DW16	1		
3021	474374	SPRAY ARM LOW ASSY DW16	1		
3025	474365	SPRAY ARM HOLDER LOW.5502-B	1		
3026	700270	WIRING HARNESS HOLDER DW70 000	1		
3027	700392	SUPPORT	1		
3028	700385	HOSE GUIDANCE	1		
3029	499664	SPRAYER TUBE D14 L275 XL	1		
3030	481405	SPRAYER TUBE D8 XXL	1		
3031	476714	TUBE CONNECTING PART D14-D8 5502-B	1		
3032	476715	SPRAY ARM ATTACHMENT MINI 5502-B	1		
3033	700264	GASKET	1		
3034	700329	HOSE	2		
3035	484953	SPRAYER NOZZLE L ASSY	1		
3036	484955	SPRAYER NOZZLE R ASSY	1		
3037	432827	HOUSE SPRAYTOWER ASSY	1		

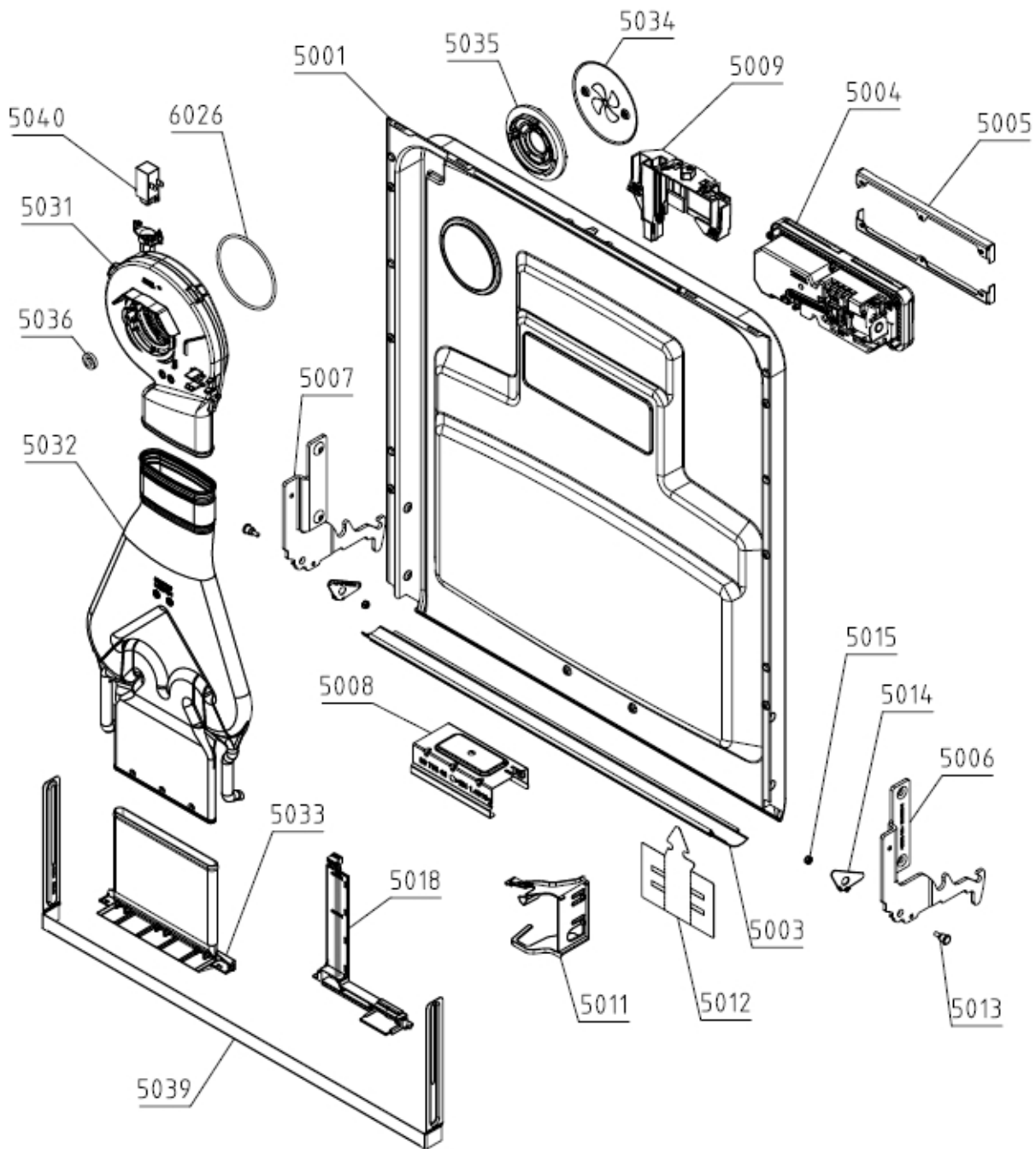
163652



Position	Ident	Spare part description	Quantity	Validity	Extra ID
4001	784738	FILTER ASSY	1		
4002	515330	COARSE STRAINER	1		
4003	573752	UPPER STRAINER D0,6	1		
4004	581831	DRAIN PUMP 120V 60HZ LEILI	1		
4005	563263	DISCHARGE HOSE INTERIOR	1		
4006	689756	SET HOSE/CLAMP/CUFF SIPHON DISCHARGE	1		
4007	700415	GASKET	1		
4008	784737	BOTTOM SUMP ASSY	1		

Position	Ident	Spare part description	Quantity	Validity	Extra ID
4009	508118	THERMISTOR SENSOR UL4	1		
4010	512673	O-RING 23X3 N70	1		
4011	589657	PRESSURE SENSOR SET DW30	1		
4012	700325	RING	1		
4013	714345	SET AIR BREAK,O-RING	1		
4014	611906	INLET VALVE ASSY 120 V	1		
4015	559007	O-RING 20,5X2	2		
4016	700439	CLAMP	1		
4018	498220	DISCHARGE HOSE BOW POM	1		
4021	514530	AIR BREAK LOCK RING	1		
4025	517668	O-RING 10X3,5	1		
4026	513850	NON-RETURN VALVE HOLDER	1		
4027	513851	NON-RETURN VALVE	1		
4028	708314	O-RING 95X4	1		
4029	512051	BOTTOM SUMP PLUG 1070-Y	1		
4030	700476	CLAMP	1		
4031	700484	END CUFF	1		

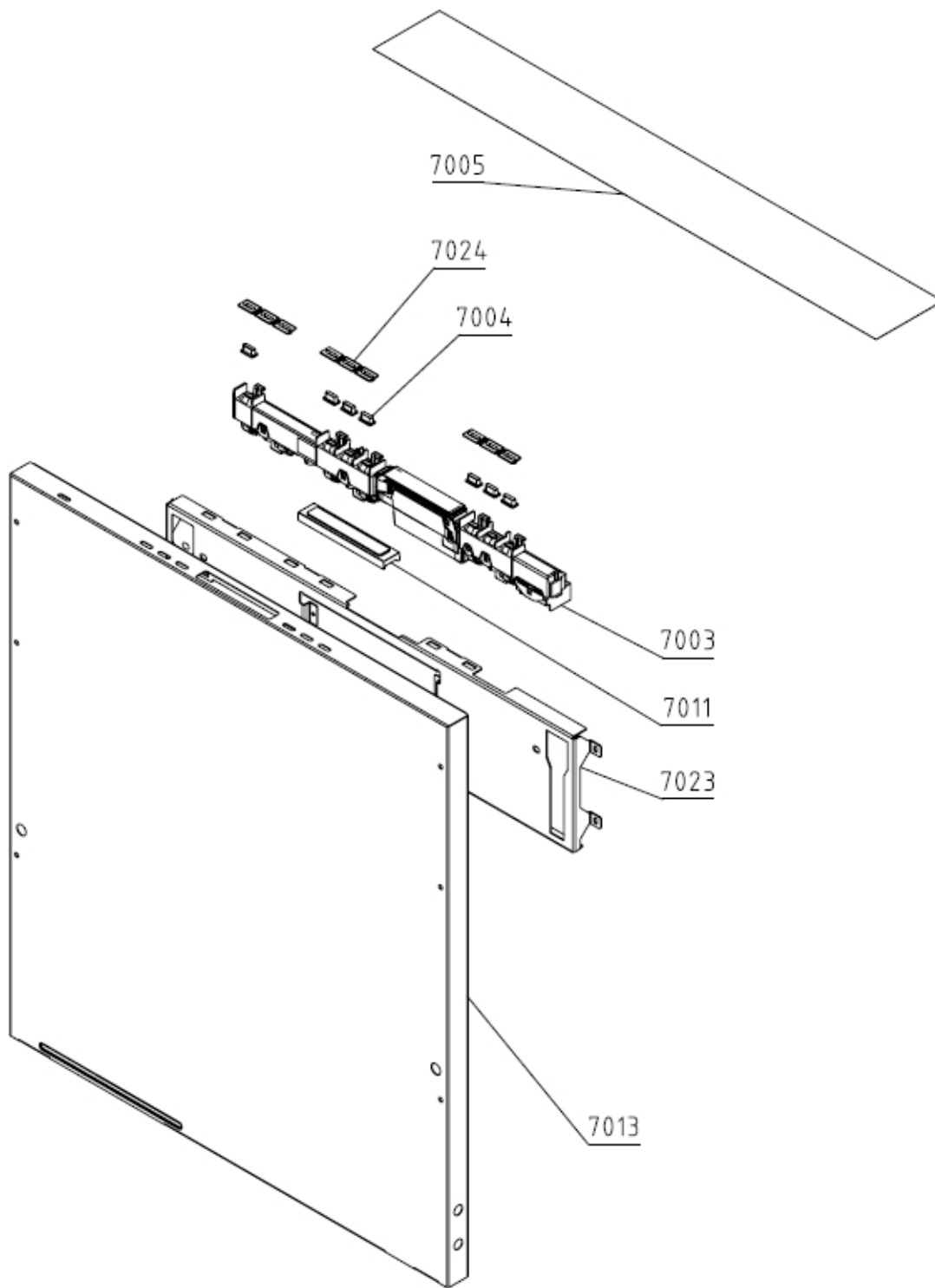
164650



Position	Ident	Spare part description	Quantity	Validity	Extra ID
5001	624605	INTERIOR DOOR INT.F XL DW40 ASSY	1		
5001A	785608	SCREW	6		
5001B	200617	SCREW PT KB40X10 WN1442 RFS	8		
5003	426743	DOOR GASKET	1		
5004	700275	SOAP DISPENSER	1		
5005	700559	SOAP DISPENSER HOLDER DW COMBI AWECO	2		
5005A	200621	SCREW PTK 40X14 WN1452 FZB T2	8		

Position	Ident	Spare part description	Quantity	Validity	Extra ID
5006	709479	HINGE LEFT	1		
5007	709480	HINGE RIGHT	1		
5007A	700243	SCREW M5X16-A2 TORX25 MKF	4.250		
5008	700402	HOLDER	1		
5008A	700470	SCREW ST4,2X13-A4 TORX20 RTS BUFAB	2		
5009	588152	DOOR LOCK	1		
5009A	570424	SCREW PTK 40X13 WN5454	4		
5011	449948	INTERIOR DOOR HARNESS HOLDER DW UL4 9005	1		
5012	700409	COVER	1		
5013	700312	HINGE SCREW	2		
5014	709327	HINGE WASHER RIGHT	1		
5014	709328	HINGE WASHER LEFT	1		
5015	700472	NUT M4-SELF-LOCKING	2		
5018	587067	STATUS LIGHT LONG BK UL4	1		
5031	450975	DOOR FAN UL4 120V ASSY	1		
5032	445331	AIR DUCT UL4	1		
5033	457591	ADJUSTABLE PART-NOZZLE 5MM GAP	1		
5034	700315	COVER	1		
5035	445248	FAN LOCKING RING DW16 9500	1		
5035A	453404	GASKET FAN DW DW	1		
5039	705686	AIR CHANNEL ADJUSTABLE FRAM	1		
5039A	572804	SCREW MRT-GF M5X8 COMB T20 FZB	2		
5040	445250	THERMOACTUATOR 8MM STROKE 110-240V UL4	1		
6026	700318	GASKET	1		

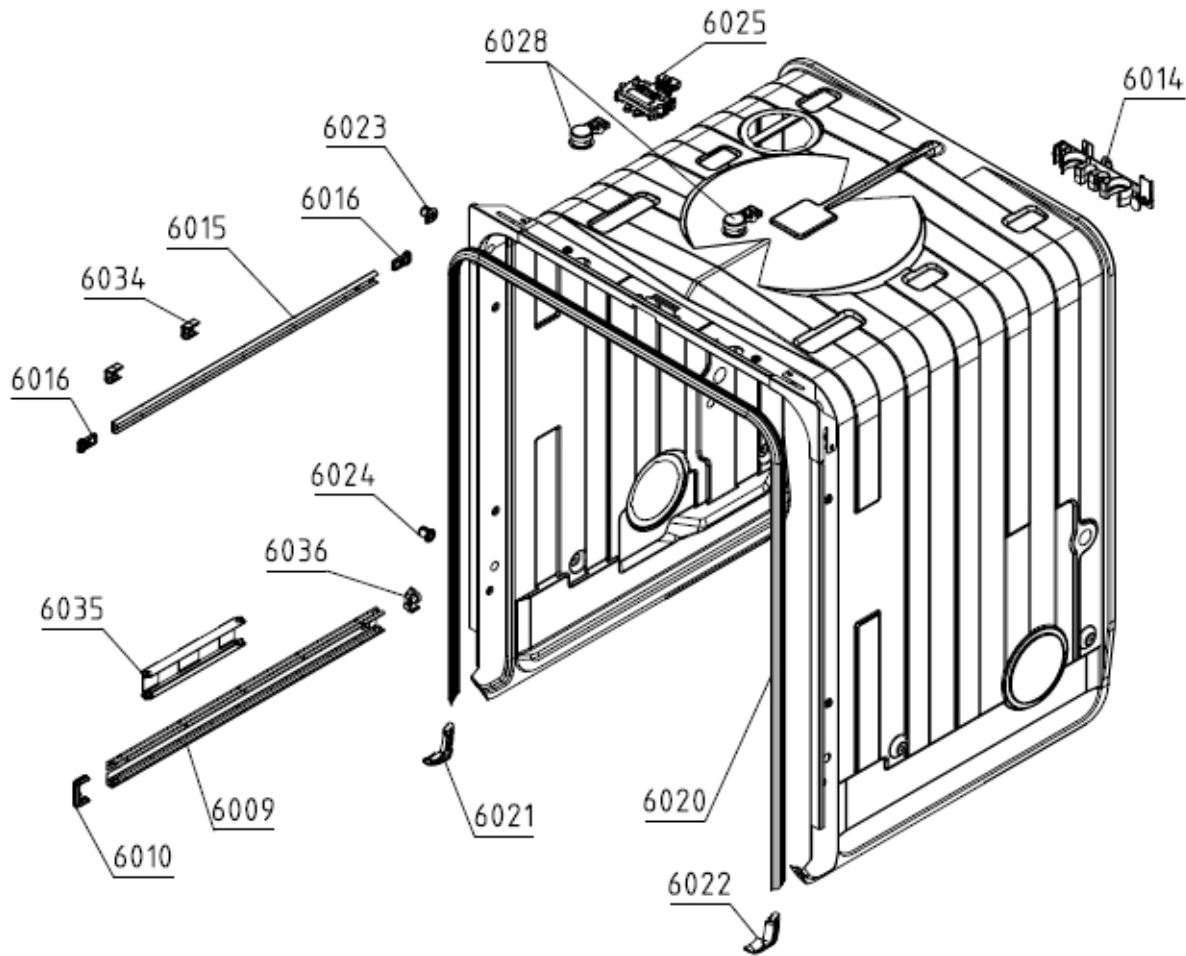
165652



Position	Ident	Spare part description	Quantity	Validity	Extra ID
7003	810289	UPPER USER INTERFACE	1		
7004	552917	PUSH BUTTON	7		
7005	555456	PROTECTIVE FOIL	1		
7011	707190	SET TOP DISPLAY	1		
7013	707169	EXTERIOR DOOR ASSY	1		
7023	699066	REINFORCEMENT OUTER DOOR TOP	1		

Position	Ident	Spare part description	Quantity	Validity	Extra ID
7024	707323	SET GUIDE PUSH BUTTONS	1		

166122



Position	Ident	Spare part description	Quantity	Validity	Extra ID
6009	797102	GUIDE	2		
6010	700430	RAIL BLOCK	2		
6014	700274	SUPPORT	1		
6015	476781	UPPER BASKET GUIDE	2		
6016	476783	BASKET GUIDES STOPPER 5502-B	4		
6020	704575	TUB GASKET DW 1701 UL4	1		
6021	700518	GASKET	1		
6022	700519	GASKET	1		
6023	440647	GUIDE PLUG DW 9500	2		

Position	Ident	Spare part description	Quantity	Validity	Extra ID
6024	640272	INSTALLATION PLUG	2		
6025	805101	DOOR LATCH	1		
6028	587018	LED LIGHT DW UL4	2		
6034	476782	SLIDE GUIDE TOP BASKET 5502-B	4		
6035	428814	SPACER	1		
6036	700313	GUIDE SHOCK ABSORBER	2		
9999	685940	ATTACHMENT BAG	1		

168001

SET KABELSKI
WIRING HARNESS
KABELBAUM
CABLAGE ASSEMBLE

Position	Ident	Spare part description	Quantity	Validity	Extra ID
8001	509093	WIRING HARNESS GCUX2-DOOR SWITCH	1		
8002	509095	WIRING HARNESS GCUX4-COMBINED DISPENSER	1		
8003	509096	WIRING HARNESS GCUX5-RINSE AID	1		
8004	509097	WIRING HARNESS GCUX6-UI	1		
8005	509117	WIRING HARNESS GCUX19-HEATER	1		
8008	509105	WIRING HARN.GCUX8-FLOW,PRES.,TURB.NTC	1		
8009	509118	WIRING HARNESS GCUX10-INLET DRAIN FLOAT	1		
8010	509111	WIRING HARNESS GCUX12-DIVERTER	1		
8011	837704	WIRING HARNESS GCUX17-BLDC PUMP	1		
8016	664114	WIRING HARNESS GCUX9-LED LIGHT TOP	1		
8017	838906	WIRING HARNESS-INNER DOOR ASSY	1		
8025	783602	WIRING HARNESS GCUX13-FAN	1		